



## DECLARATION OF CONFORMITY

Tri plus grupa d.o.o. declares that this product is in compliance with the essential requirements and other relevant provisions of Directives as follows:

Model: ZIPABOX-ZIGBEE-V1  
Intended use: indoor

EMC Directive (2004/108/EC)  
Low Voltage Directive (2006/95/EC)  
R&TTE Directive (1999/5/EC)

The product is compatible with following norms/standards:

EN 60950-1:2007+A11:2009+A12:2011  
EN 301 489-17 V2.1.1:2010  
EN 301 489-3 V1.4.1:2003  
EN 301 489-1 V1.8.1:2008  
EN 300 328 V1.7.1:2008  
EN 50130-4:1977+A1:2000+A2:2004  
EN 300 220-1 V2.1.1:2006  
EN 300 220-2 V2.1.2:2008

Manufacturer/Authorised representative,

TRI PLUS GRUPA  
d.o.o.  
ZAGREB

Dean Janacek

Zagreb, 12 September 2012

**Tri plus grupa d.o.o.**  
Banjaveciceva 11  
10000 Zagreb  
Croatia

## 433 Expansion Module



## COMPATIBILITY

This Expansion Module is designed to work only with Zipabox.

## HANDLING

Do not drop, knock or shake the module. Rough handling can break internal circuit boards and connectors.

## ENVIRONMENT

Do not expose the module to excessive heat or cold, as it can damage or shorten the life of electronic circuit boards.

If possible, dispose this module at a recycling center. Do not dispose of this module with the household waste.

## SPECIFICATION

Power supply:	from Zipabox
Operating temperature:	-10° ~ +40° C
Operating humidity:	5 ~ 95% RH
Dimensions:	29 x 87 x 46 mm (without antenna)
Weight:	62g (with antenna)
Communication frequency:	433 MHz
Communication range:	up to 30m indoor or 70m outdoor

## UNPACKING

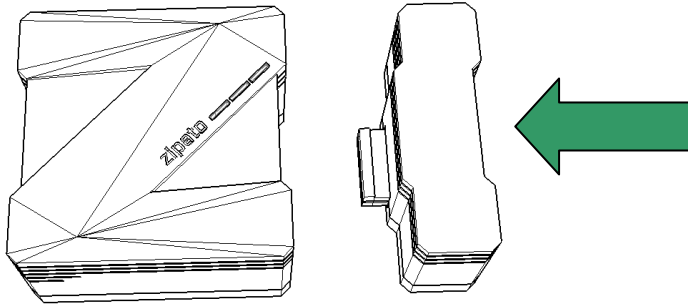
ZigBee Expansion Module consists of:

- 1x Expansion Module
- 1x 433 MHz antenna

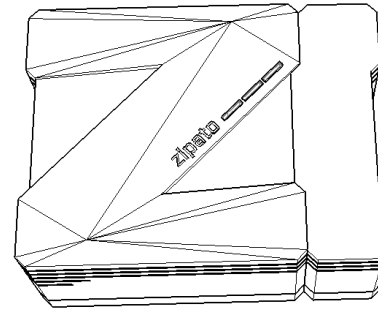
- Connect antenna by screwing it clockwise to the connector on the module

## CONNECTING DEVICE

4. Disconnect Zipabox from power;
5. Align connector of 433 Expansion Module to expansion Slot 2 of Zipabox (or to module connected into Slot 2);



6. Join module and Zipabox together until gap between them is completely closed.



## INSTALLATION/MOUNTING

Mount together with Zipabox.

## INTERFERENCE

All wireless devices are subject to interference, which could affect device performance.

## REPAIRING

Do not attempt to repair this product. There are no user-serviceable parts inside.

## WATER-RESISTANCE

This product is not water-resistant. Keep it dry. Moisture will corrode the inner electronics.

## CLEANING

Use a dry cloth to clean this product. Do not use harsh chemicals, cleaning solvents or strong detergents.

## COPYRIGHT

The contents of this manual is subject to copyright protection. Copying and reproducing is prohibited without prior written permission. Information in this document is subject to change without prior notice. Check [www.zipato.com](http://www.zipato.com) for updates.