

Power Relay T9C AC coil

- 1 pole 20 A, 1 NO contact
- 1.6 VA coil (cULus recognized)
- 1.2 VA coil (VDE approved)
- 2.5 kV coil - contact
- Flange mount

Applications

HVAC, power supplies, domestic appliances, measurement & control



F_T9C-B

Approvals

VDE REG.-Nr. A876, cULus E58304
 Technical data of approved types on request

Contact data

Contact configuration	1 CO contact / 1 NO contact
Contact set	single contact
Type of interruption	micro disconnection
Rated voltage / max. switching voltage AC	250 VAC /250 VAC
Rated current NO / NC contact	20 A / 10 A (UL 508)
Maximum breaking capacity AC	5000 VA
Contact material	AgSnInO
Minimum contact load	> 1A, 5VDC / 12 VAC
Rated frequency of operation with / without load	6 / 300 min ⁻¹
Operate- / release time including bounce time	max. 15 / 15 ms

Contact ratings

Type	Contact	Load	Ambient temp. [°C]	Cycles
UL 508				
T9C	NO	30 A, 250 VAC, resistive	80°C	30x10 ³
T9C	NO	15 A 240 VAC, general purpose	70°C	100x10 ³
T9C	CO	20 A / 10 A 250 VAC, general purpose	85°C	6x10 ³
IEC 61810				
T9C, E coil	NO	15 A, 277 VAC, cosφ=1	85°C	100x10 ³

Coil data

Rated coil voltage range AC coil	12...240 VAC
----------------------------------	--------------

Coil versions, 1.2 VA AC-coil

Coil code	Rated voltage VAC	Operate voltage VAC	Release voltage VAC	Coil resistance Ω	Rated coil power VA
12	12	9.6	3.6	52±10%	1.2
24	24	19.2	7.2	198±10%	1.2
48	48	38.4	14.4	824±10%	1.2
120	110	88.0	33.0	3728±10%	1.2
240	220	176.0	66.0	14810±10%	1.2

Coil versions, 1.6 VA AC-coil

Coil code	Rated voltage VAC	Operate voltage VAC	Release voltage VAC	Coil resistance Ω	Rated coil power VA
12	12	9.6	3.6	36±10%	1.6
24	24	19.2	7.2	144±10%	1.6
48	48	38.4	14.4	576±10%	1.6
120	110	88.0	33.0	3025±10%	1.6
240	220	176.0	66.0	12000±10%	1.6

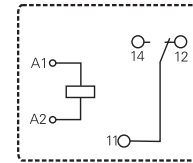
All figures are given for coil without preenergization, at ambient temperature +23°C
 Other coil voltages on request

Power Relay T9C AC coil (Continued)

Insulation

Dielectric strength coil-contact circuit	2500 V _{rms}
open contact circuit	1500 V _{rms}
Clearance / creepage coil-contact circuit	≥ 2.5 / 4 mm; ≥ 3.1 / 6.3 mm (UL508)
Tracking index of relay base	175
Insulation to IEC 61810-1	
Type of insulation coil-contact circuit	basic
open contact circuit	micro disconnection
Rated insulation voltage	250 V
Pollution degree	2
Rated voltage system	277 V
Overvoltage category	II

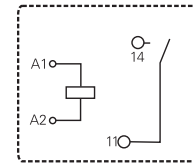
Terminal assignment



S0261-AI

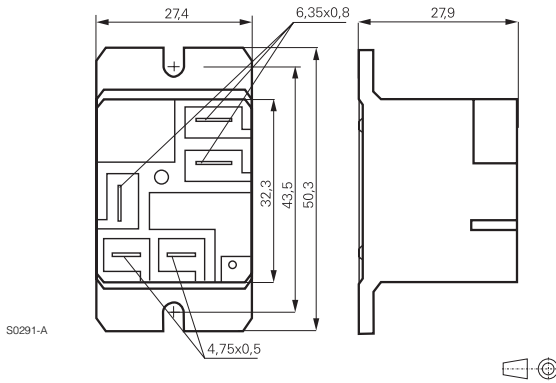
Other data

Mechanical endurance	typ. 5x10 ⁶ cycles
Material	
RoHS - Directive 2002/95/EC	compliant
Environment	
Ambient temperature range	-40...+70°C
Vibration resistance (function) NO / NC contact	1.5 mm, 10...55 Hz
Shock resistance (function) NO / NC contact	10 g for 11 ms
Shock resistance (destruction)	100 g for 6 ms
Category of protection	RT I - dust protected
Processing	
Relay weight	33 g
Packaging unit	250 pcs



S0261-AJ

Dimensions



S0291-A

Power Relay T9C AC coil (Continued)

Product key	Typical product key	T9C	P	1	A	5	4	-24
Type	T9C Power relay T9C AC coil							
Enclosure	P dust protected (flange mount)							
Contact configuration	1 1 NO contact (1 form A), VDE and UL approved 5 1 CO contact (1 form C), UL approved							
Coil version	A AC coil 1.6 VA E AC coil 1.2 VA (VDE approved)							
Mounting	5 Flange mount, 4.75 mm quick connect term. for coil, 6.35 mm quick connect term. for contacts							
Contact material	4 AgSnInO							
Coil	Coil code: please refer to coil versions table							

Other types on request

Product key	Version	Cont. material	Cont.configuration	Coil	Part number
T9CP1A54-12	flange mount	AgSnInO	1 NO contact	12 VAC	1649341-7
T9CP1A54-24	quick connect term.			24 VAC	1649341-8
T9CP1A54-48				48 VAC	1649341-9
T9CP1A54-120				120 VAC	1-1649341-0
T9CP1A54-240				240 VAC	1649341-2
T9CP5A54-12			1 CO contact	12 VAC	1-1649341-6
T9CP5A54-24				24 VAC	1-1649341-7
T9CP5A54-48				48 VAC	1-1649341-8
T9CP5A54-120				120 VAC	1-1649341-9
T9CP5A54-240				240 VAC	2-1649341-0