

Wall Mountable Android Tablet PC Q896

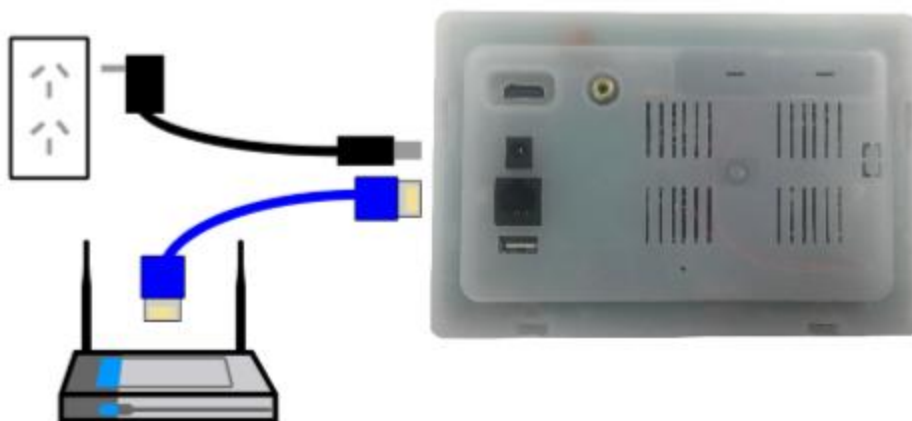
1.1 Initial Setup

1. Connect the power and network using one of the following options:

A. Mains Power and Ethernet: Connect the ethernet cable (cable not included) to your network, then plug the power cable into the tablet pc, as shown in the diagram.

B. POE: If using Power Over Ethernet (POE), connect the ethernet cable (cable not included) to a powered port on your network, omitting the supplied power cable.

C. Mains Power and WiFi: If using WiFi, plug the power cable into the Tablet PC, omitting the ethernet cable.



2. Once the power supplies, the Tablet PC auto boots up.

1.2 In-Wall Mounting the Tablet PC

The visible part of the Tablet PC in front of the wall measures 182mm W x 121mm H x 15mm D. This bracket can also be used for surface mounting using the 75mm x 75mm VESA holes.

1. Make the cutout for the Tablet PC:

A. Make a cutout in the wall 160mm W x 104mm H x 21mm D, or use the in-wall bracket as a template.

2. Install the mounting bracket into the cutout:

A. Insert the mounting bracket into the wall cutout with the flanges at the bottom. Use 4 screws (not supplied) to fix the bracket to the wall.

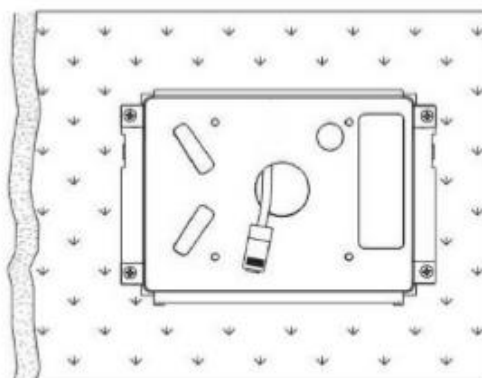


Figure 2

3. Installing the Tablet PC:

A. Insert the ethernet cable (marked "A" in Figure 3) into the RJ-45 connector (LAN /POE) on the Tablet PC (marked "A" in Figure 4). You should also insert the power cable at this point if not using POE.

B. Align the tabs on the mounting bracket (marked "B" in Figure 3) with the slots on the Tablet PC (marked "B" in Figure 4). Attach the Tablet PC to the mounting bracket by inserting the tabs on the bracket into the mating slots on the Tablet PC and then gently pushing downward to lock into place.

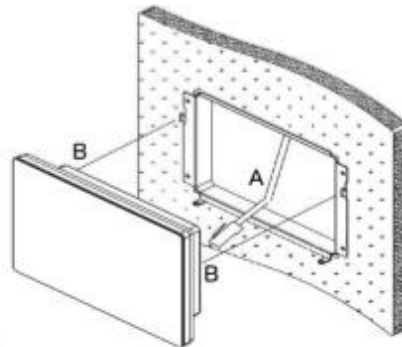


Figure 3

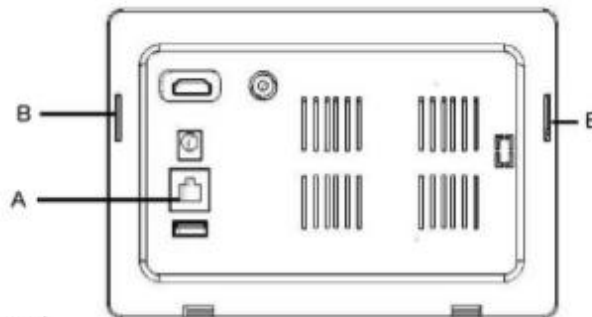


Figure 4

C. Secure the Tablet PC to the mounting bracket flanges using the provided screws in the base.