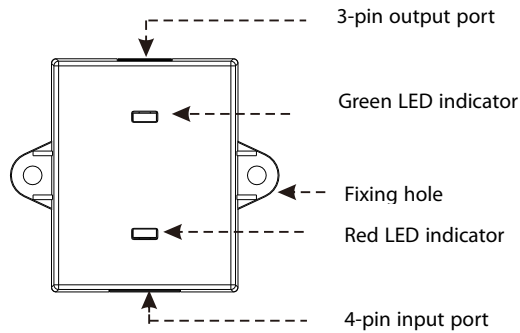


SRB Simple Access Controller Connection Guide

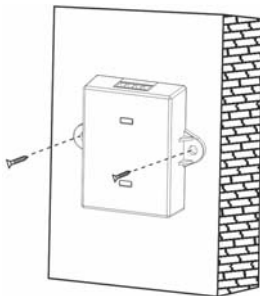
I. Electrical Parameters and Features

1. The SRB access controller works with the access control function. After receiving the Wiegand signals from the access control terminal, the SRB access controller outputs relay signals to trigger the relay to unlock.
2. The input port of the SRB controller is connected to the access control terminal to receive the unlock/lock signals from it.
3. The output port of the SRB controller is connected to the lock to output unlock/lock signals.
4. The input power (12V) supports reverse polarity and over-voltage protection.
5. Both the input and output ends support the ESD protection function.

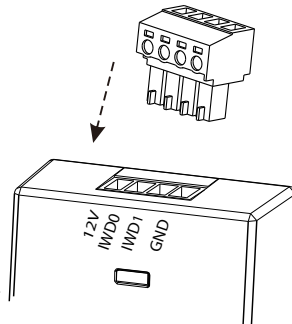
II. Appearance



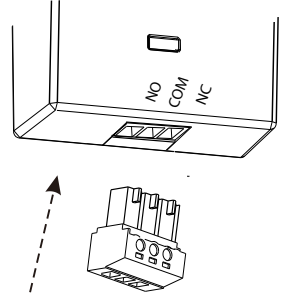
III. Installation



(Figure3-1)

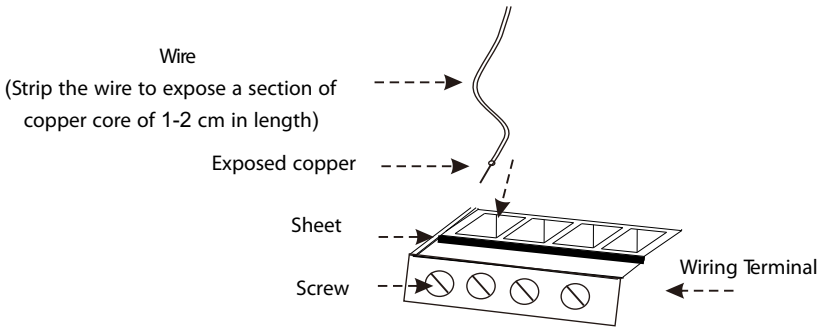


(Figure3-2)



(Figure3-3)

1. Fasten the SRB controller to the ceiling or wall (as shown in Figure 3-1).
2. Connect the access control terminal with the SRB controller (as shown in Figure 3-2)
3. Connect the lock with the SRB controller (as shown in Figure 3-3)
4. The connection between the cable and wiring terminal is shown in Figure 3-4. Insert the exposed copper end of the wire into terminal hole to butt against the plastic bottom from the top of sheet metal and fasten the screw to clamp the exposed copper end.



(Figure 3-4)

IV. LED Indicator Status Description

After the SRB controller is connected with the 12V power supply, the red LED indicator is on. After the correct Wiegand signals are input, the green LED indicator is on and the red LED indicator is off at the same time. The LED indicator will be restored to its original status in two seconds.

V. Definition of Terminal Block

